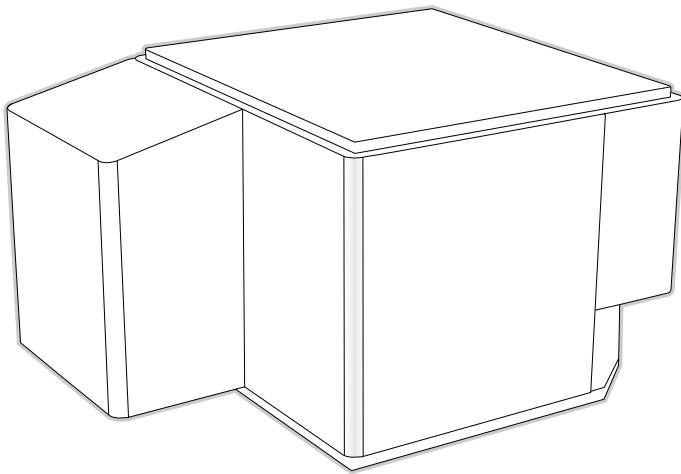


Engineering Data



**MODELS RT 024 - 060
OUTDOOR SPLIT
COMPRESSOR SECTION
WATER-TO-AIR HEAT PUMPS**

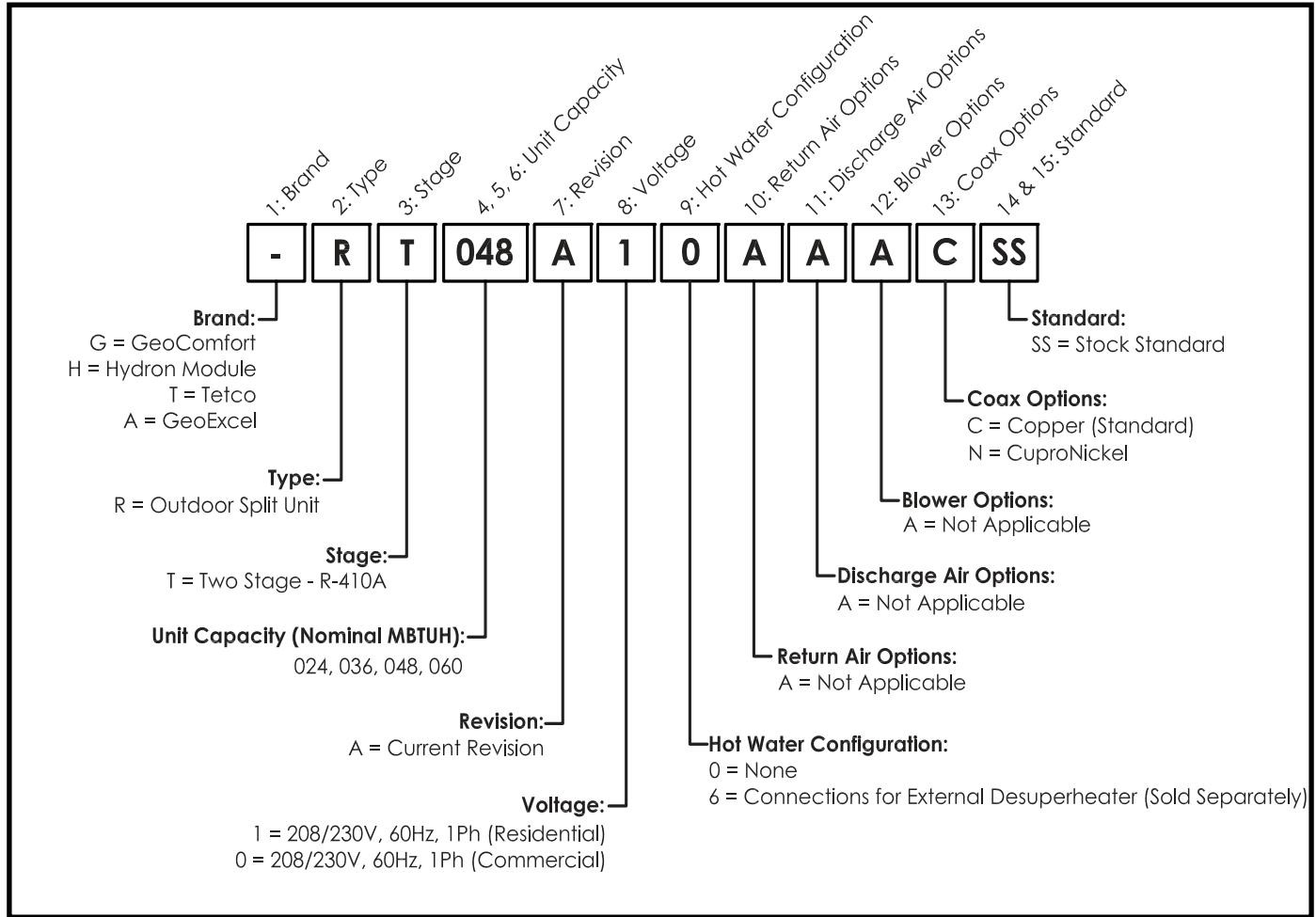


Project Name: _____
 Engineer: _____
 Contractor: _____
 Architect: _____
 Date Received: _____
 Date Submitted: _____

Unit Tag	Model Number
_____	_____
_____	_____
_____	_____
_____	_____
_____	_____
_____	_____
_____	_____
_____	_____
_____	_____
_____	_____
_____	_____
_____	_____
_____	_____
_____	_____
_____	_____
_____	_____
_____	_____
_____	_____
_____	_____


 20D232-07NN
 REVISION: A

MODEL NOMENCLATURE DECODER:



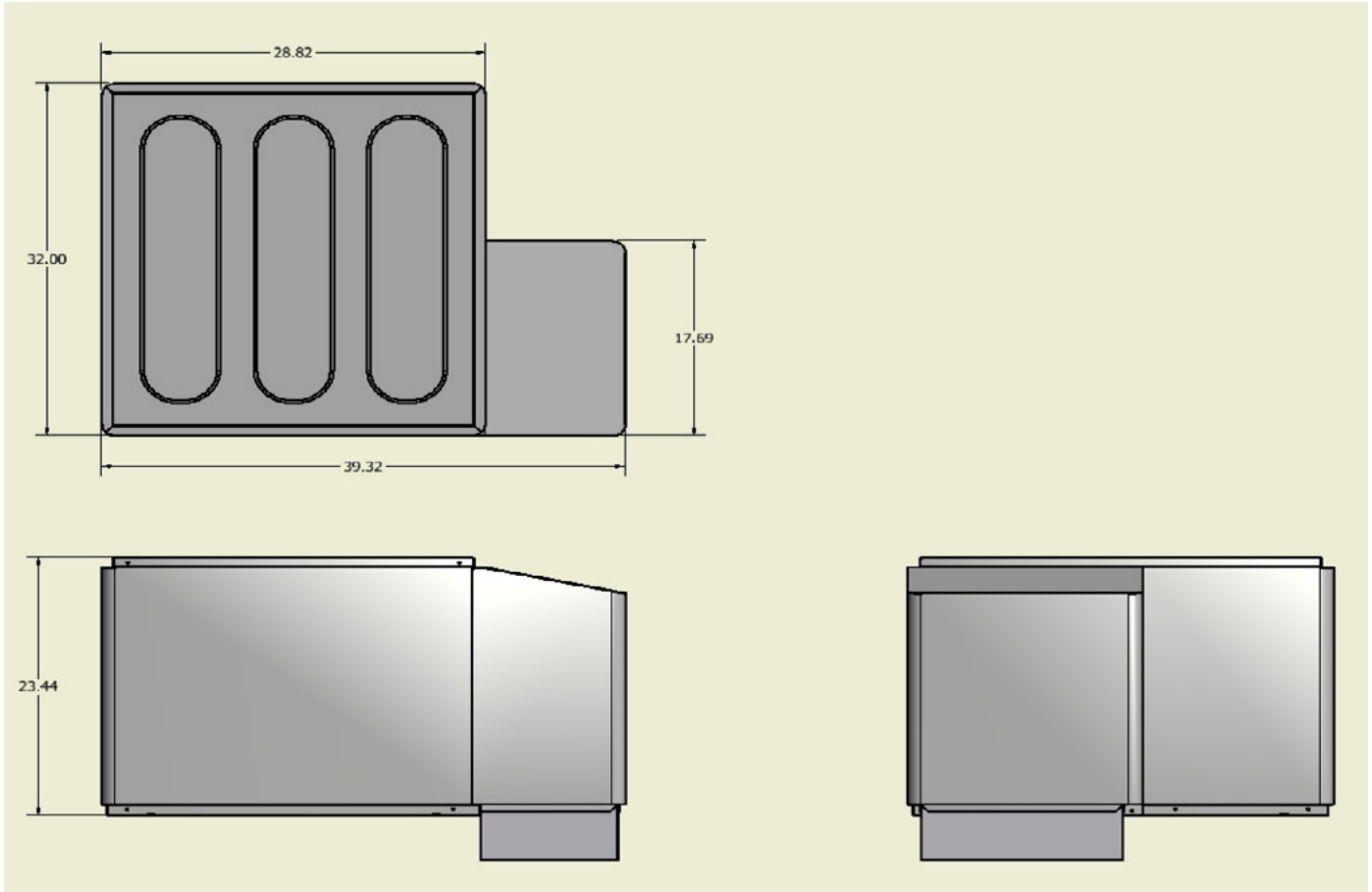
UNIT ELECTRICAL DATA:

Model	Voltage Code	60Hz Power		Compressor		Ext Loop Pump FLA*	Total Unit FLA	Min Circuit AMPS	Max Fuse HACR	Min AWG	Max Ft
		Volts	Phase	LRA	RLA						
024	0	208/230	1	58.3	11.7	4.0	15.7	18.6	30	14	41
	1	208/230	1	58.3	11.7	4.0	15.7	18.6	30	14	41
036	0	208/230	1	83.0	15.3	4.0	19.3	23.1	35	12	51
	1	208/230	1	83.0	15.3	4.0	19.3	23.1	35	12	51
048	0	208/230	1	104.0	21.2	5.5	26.7	32.0	50	8	96
	1	208/230	1	104.0	21.2	5.5	26.7	32.0	50	8	96
060	0	208/230	1	152.9	27.1	5.5	32.6	39.4	60	8	78
	1	208/230	1	152.9	27.1	5.5	32.6	39.4	60	8	78

Notes:

1. All line and low voltage wiring must adhere to the National Electrical Code and Local Codes, whichever is the most stringent.
 2. Wire length based on a one way measurement with a 2% voltage drop.
 3. Wire size based on 60°C copper conductor and minimum circuit ampacity.
 3. All fuses class RK-5
 4. Min/Max Voltage: 208/230/60/1 = 187/252
- * The external loop pump FLA is based on a maximum of three UP26-116F-230V pumps (1/2hp) for 048 - 062 and two pumps for 024 - 038

DIMENSIONAL DATA, CABINET, DUCT FLANGES AND INSTALLATION CLEARANCE:



DIMENSIONAL DATA TABLE:

Model	Dimensional Data			Refrigeration Connection		Water Loop*		Unit Weight (Pounds)
	Height	Width	Depth	Liquid	Suction	IN	OUT	
024	23.4	32.0	28.8	3/8"	7/8"	1" Double O-Ring		180
036	23.4	32.0	28.8	3/8"	7/8"			225
048	23.4	32.0	28.8	3/8"	7/8"			270
060	23.4	32.0	28.8	1/2"	1-1/8"			270

UNIT PHYSICAL DATA:

MODEL	024	036	048	060
COMPRESSOR TYPE	Two Stage Unloading Scroll			
Refrigerant Type	R 410-A			
Heat Exchanger (Source)	Coaxial Copper/Steel (tube in tube)			
Source Option	Coaxial Cupro-Nickel/Steel			

Notes:
 All Source water connections are 1" FPT
 All Desuperheater connections are 3/4" FPT.
 All electrical knockouts are sized for 1/2" or 3/4" conduit
 All measurements are in inches.
 All drawings are typical, individual models will vary

ENERTECH[®]

Geothermal Made Better[®]

www.enertechgeo.com

Greenville, IL - Mitchell, SD
www.enertechgeo.com
info@enertechgeo.com



Conforms to
UL Std 1995
Certified to
CAN/CSA Std
C22.2 No. 236

