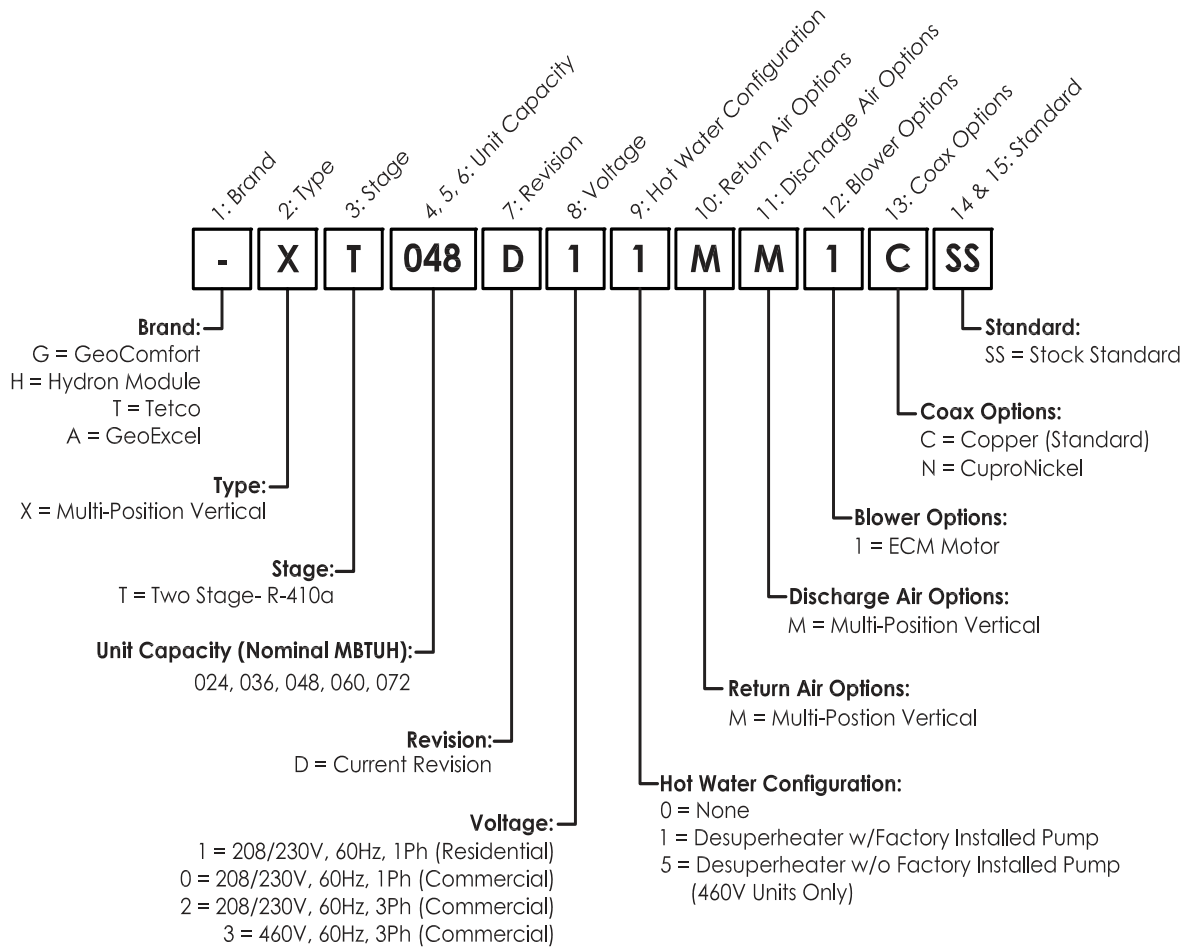


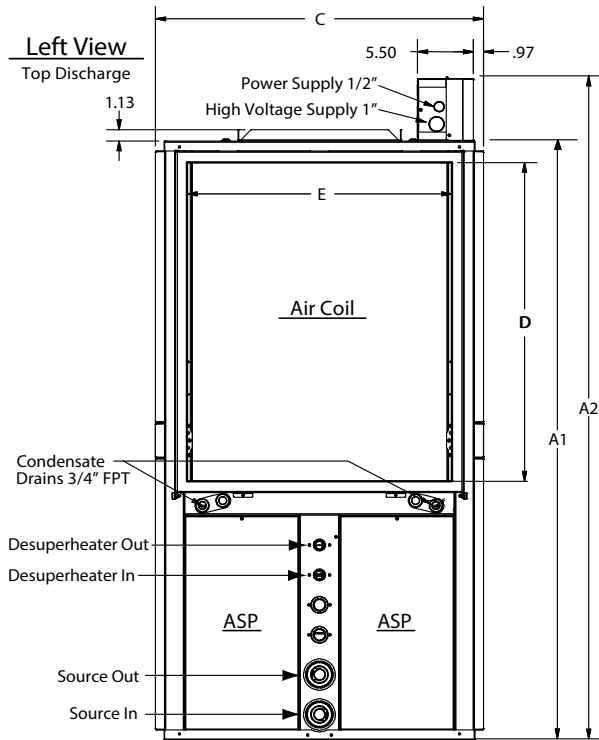
MODEL NOMENCLATURE DECODER



Unit Electrical Data:

Model	Voltage Code	60Hz Power		Compressor		ECM Fan Motor FLA	HWG Pump FLA	Ext Loop Pump FLA*	Total Unit FLA	Min Circuit AMPS	Max Fuse HACR	Min AWG	Max Ft
		Volts	Phase	LRA	RLA								
024	1	208/230	1	58.3	11.7	3.9	0.5	4.0	20.1	23.0	35	12	49
	0	208/230	1	58.3	11.7	3.9	N/A	N/A	15.6	18.5	30	14	41
	2	208/230	3	55.4	6.5	3.9	N/A	N/A	10.4	12.0	15	14	62
	3	460	3	28.0	3.5	3.9	N/A	N/A	7.4	8.4	10	14	87
036	1	208/230	1	83.0	15.3	3.9	0.5	4.0	23.7	27.5	40	10	70
	0	208/230	1	83.0	15.3	3.9	N/A	N/A	19.2	23.0	35	12	52
	2	208/230	3	73.0	11.6	3.9	N/A	N/A	15.5	18.4	30	14	41
	3	460	3	38.0	5.7	3.9	N/A	N/A	9.6	11.0	15	14	67
048	1	208/230	1	104.0	21.2	5.2	0.5	5.5	32.4	37.7	50	8	79
	0	208/230	1	104.0	21.2	5.2	N/A	N/A	26.4	31.7	50	8	97
	2	208/230	3	83.1	14.0	5.2	N/A	N/A	19.2	22.7	35	12	52
	3	460	3	41.0	6.4	5.2	N/A	N/A	11.6	13.2	20	14	55
060	1	208/230	1	152.9	27.1	6.9	0.5	5.5	40.0	46.8	70	6	102
	0	208/230	1	152.9	27.1	6.9	N/A	N/A	34.0	40.8	60	6	120
	2	208/230	3	110.0	16.5	6.9	N/A	N/A	23.4	27.5	40	10	71
	3	460	3	52.0	7.2	6.9	N/A	N/A	14.1	15.9	20	14	45
072	1	208/230	1	179.2	29.7	6.9	0.5	5.5	42.6	50.0	80	6	95
	0	208/230	1	179.2	29.7	6.9	N/A	N/A	36.6	44.0	70	6	111
	2	208/230	3	136.0	17.6	6.9	N/A	N/A	24.5	28.9	45	10	68
	3	460	3	66.1	8.5	6.9	N/A	N/A	15.4	17.5	25	14	41

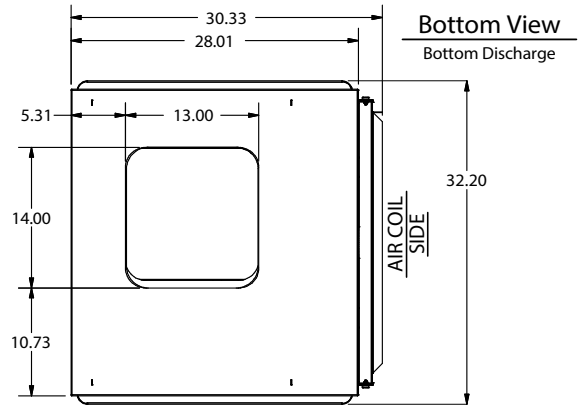
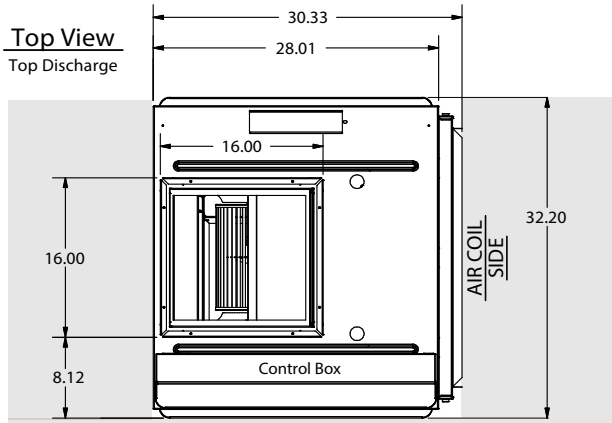
DIMENSIONAL DATA:



DIMENSIONAL DATA TABLE:

Model SIZE		024 - 048	060 - 072
Dimensional Data without Control Box	Height (A1)	56.1	60.1
	Width (B)	28.1	28.1
	Depth (C)	32.2	32.2
Dimensional Data with Control Box	Height (A2)	62.5	66.5
Supply Air (Top Discharge)	Width	16.0	16.0
	Depth	16.0	16.0
Supply Air (Bottom Discharge)	Width	13.0	13.0
	Depth	14.0	14.0
Return Air	Width (E)	26.0	26.0
	Height (D)	28.0	32.0

Notes:
 All Source water connections are 1" FPT
 All Desuperheater connections are 3/4" FPT
 All electrical knockouts are sized for 1/2", 3/4" OR 1" conduit
 All measurements are in inches.
 Additional details available in the EDIM.



ENERTECH RECOMMENDS A MINIMUM OF A TWO (2) FOOT SERVICE AND INSTALLATION AREA AS INDICATED BY THE SHADED AREA.

Unit Physical Data:

MODEL	024	036	048	060	072
COMPRESSOR TYPE	Two Stage Unloading Scroll				
Refrigerant Type	R 410-A				
Refrigerant Charge	48	68	63	84	86
Heat Exchanger (Source)	Coaxial Copper/Steel (tube in tube)				
Source Option	Coaxial Cupro-Nickel/Steel				
Heat Exchanger (Air Coil)	Aluminum Micro-Channel				
Face Area (Sq. Ft.)	5.55	5.55	5.55	6.17	6.17
Dimensions (in.)	31.8 x 21.5 x 1.0			35.9 x 24.7 x 1.26	
Number Of Rows	N/A - Micro-Channel Coil				
Unit Weight (nominal) - lbs	395	400	450	455	460

Pressure Drop (PSIG):

Model	024	036	048	060	072
GPM Water Flow	6.0	8.0	10.0	11.3	13.5
Source Water Pressure Drop	1.6	2.4	3.9	4.9	5.2



www.enertechgeo.com

Greenville, IL - Mitchell, SD
www.enertechgeo.com
info@enertechgeo.com



Conforms to
UL Std 1995
Certified to
CAN/CSA Std
C22.2 No. 236



Rev Tab

Enertech Global, LLC

150408G